

1

2

3

4

A

A

B

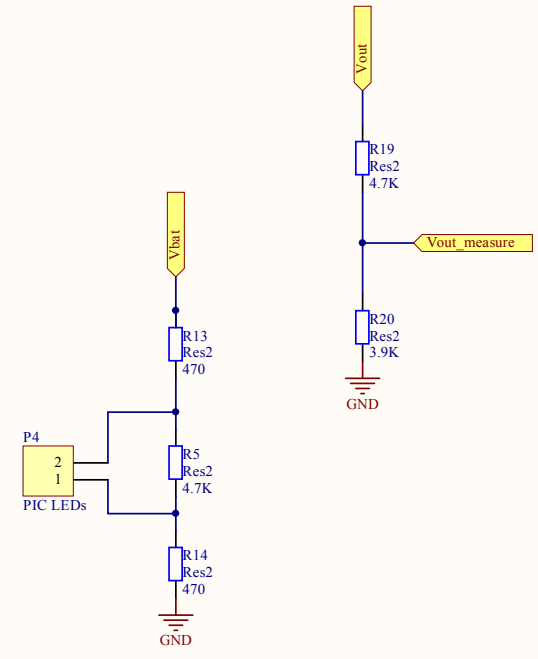
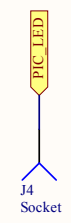
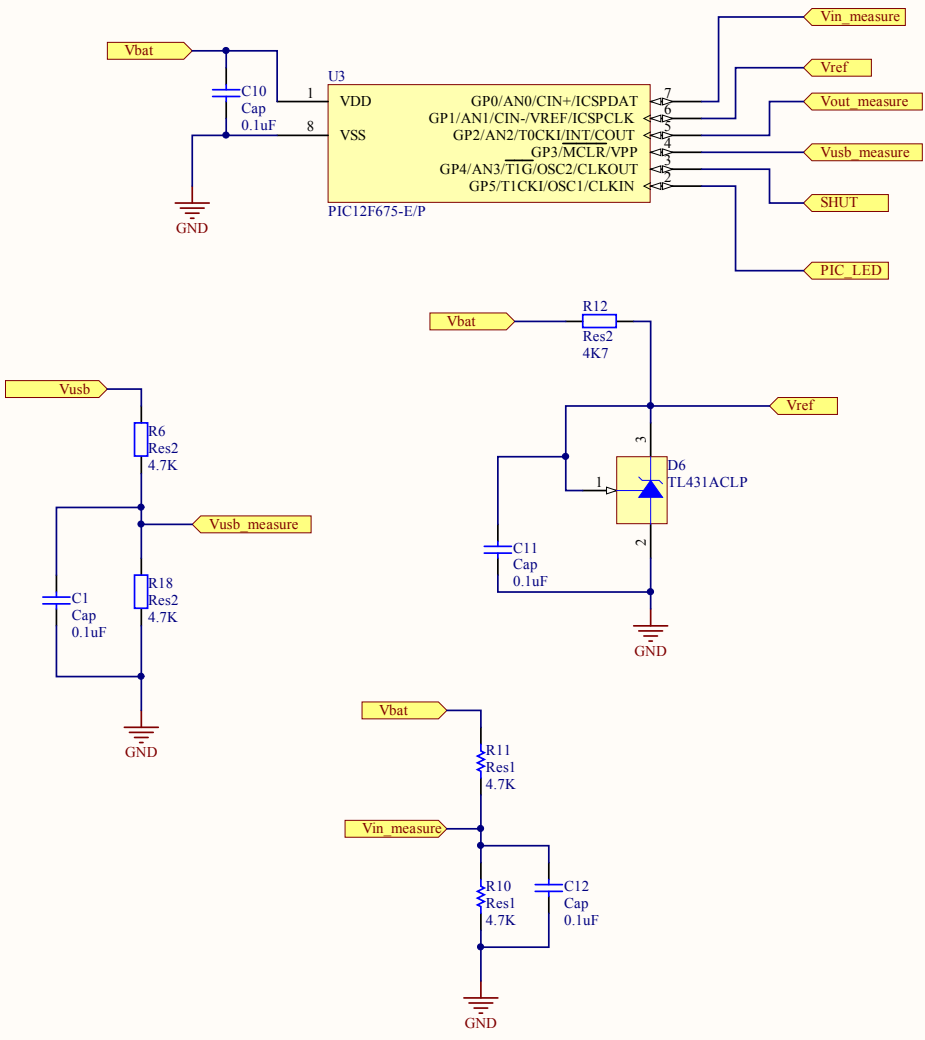
B

C

C

D

D



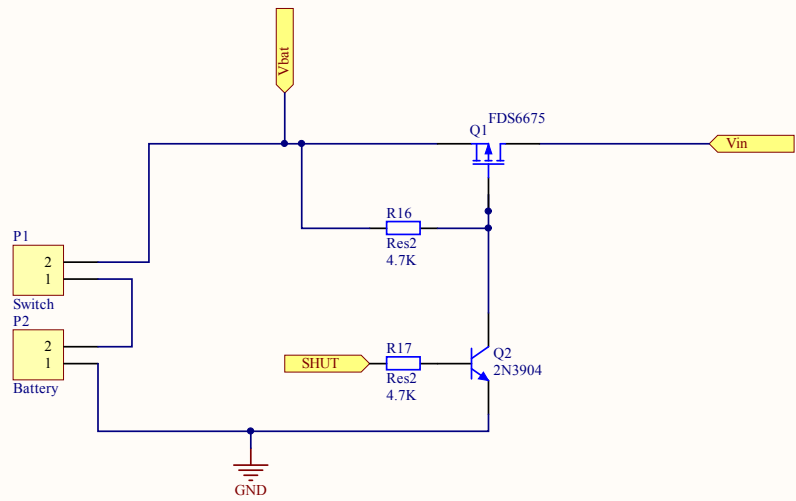
Title		
Size	Number	Revision
A4		
Date:	10/29/2012	Sheet of
File:	E:\My Electronic projects\A\PIC.SchDoc	Drawn By:

1

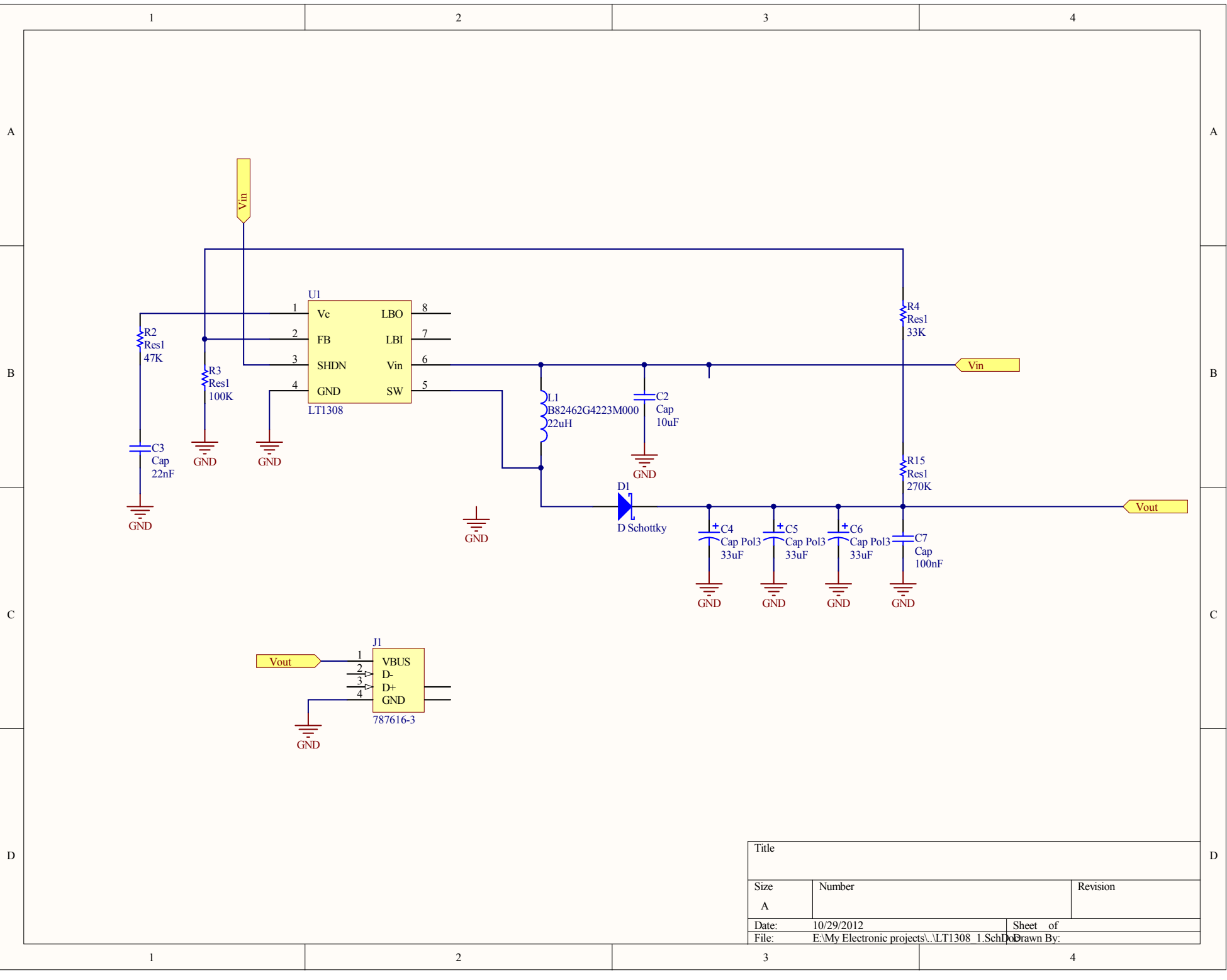
2

3

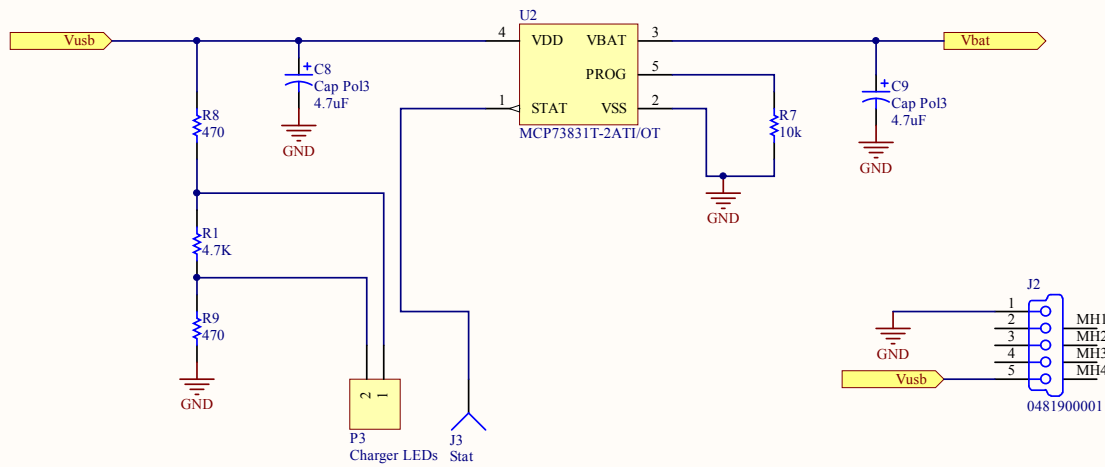
4



Title		
Size	Number	Revision
A4		
Date:	10/29/2012	Sheet of
File:	E:\My Electronic projects\battery.SchDb	Drawn By:



Title		
Size	Number	Revision
A		
Date:	10/29/2012	Sheet of
File:	E:\My Electronic projects\..LT1308_1.SchDoc	
		Drawn By:



Title		
Size	Number	Revision
A4		
Date:	10/29/2012	Sheet of
File:	E:\My Electronic projects\...MCP73831	Drawn By: